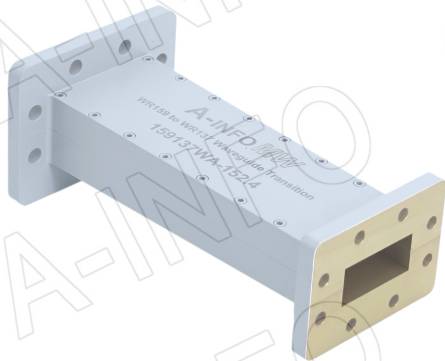


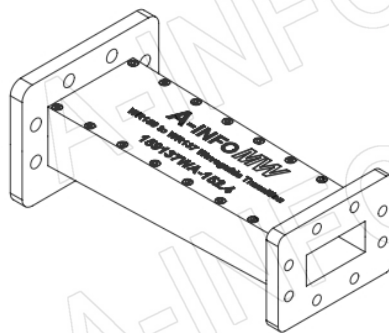
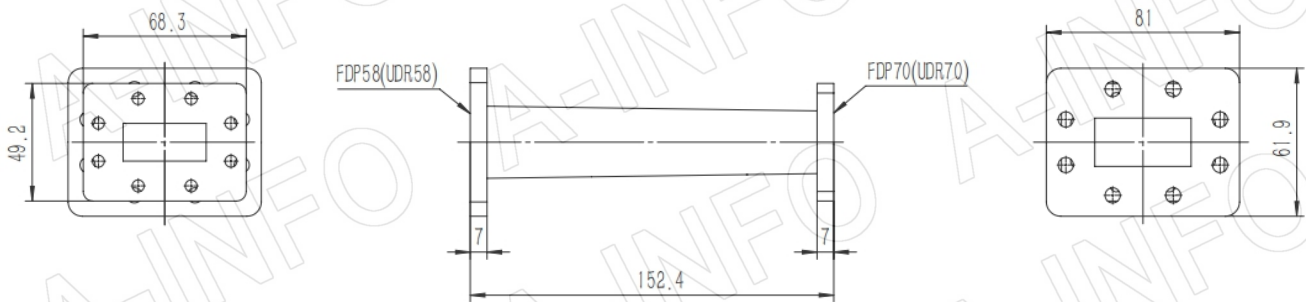
For reference only. See data sheet for the detailed specifications.

## Technical Specification



EIA WR to WR	WR159 to WR137
Frequency Range(GHz)	5.85 – 7.05
Length(mm/inch)	152.4/6.0
Insertion Loss(dB)	0.1 Max.
VSWR	1.10:1 Max.
WR159 Flange	FDP58(UDR58)
WR139 Flange	FDP70(UDR70)
Material	Al
Size(mm)	152.4 x 81 x 61.9
Net Weight(Kg)	0.4 Around

## Outline Drawing (Size: mm)



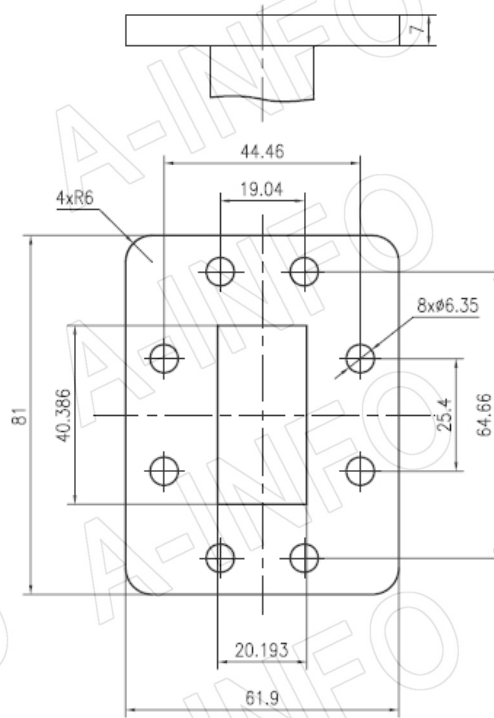
## AINFO Inc.

China(Beijing): Tel: (+86) 10-6266-7326,  
China(Chengdu): Tel: (+86) 28-8519-2786,  
USA : Tel: (+1) 949-639-9688,

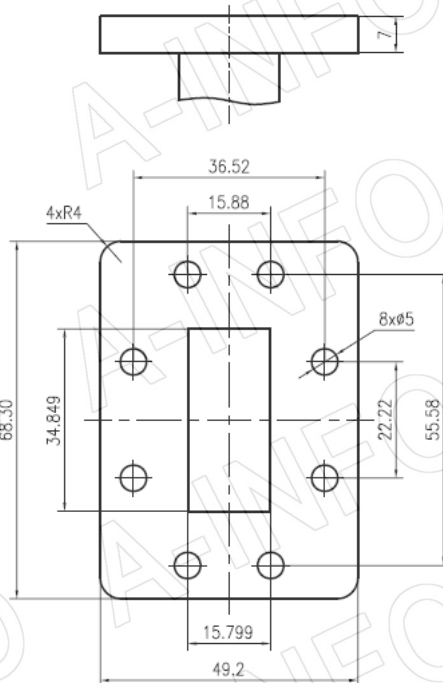
Page 1 of 3  
(+86) 10-6266-7327 Fax: (+86) 10-6266-7379  
(+86) 28-8519-3044 Fax: (+86) 28-8519-3068  
(+1) 949-639-9608 Fax: (+1) 949-639-9670

Website: [www.ainfoinc.com](http://www.ainfoinc.com)  
Email: [sales@ainfoinc.com](mailto:sales@ainfoinc.com)

## Flange Outline Drawing (Size: mm)



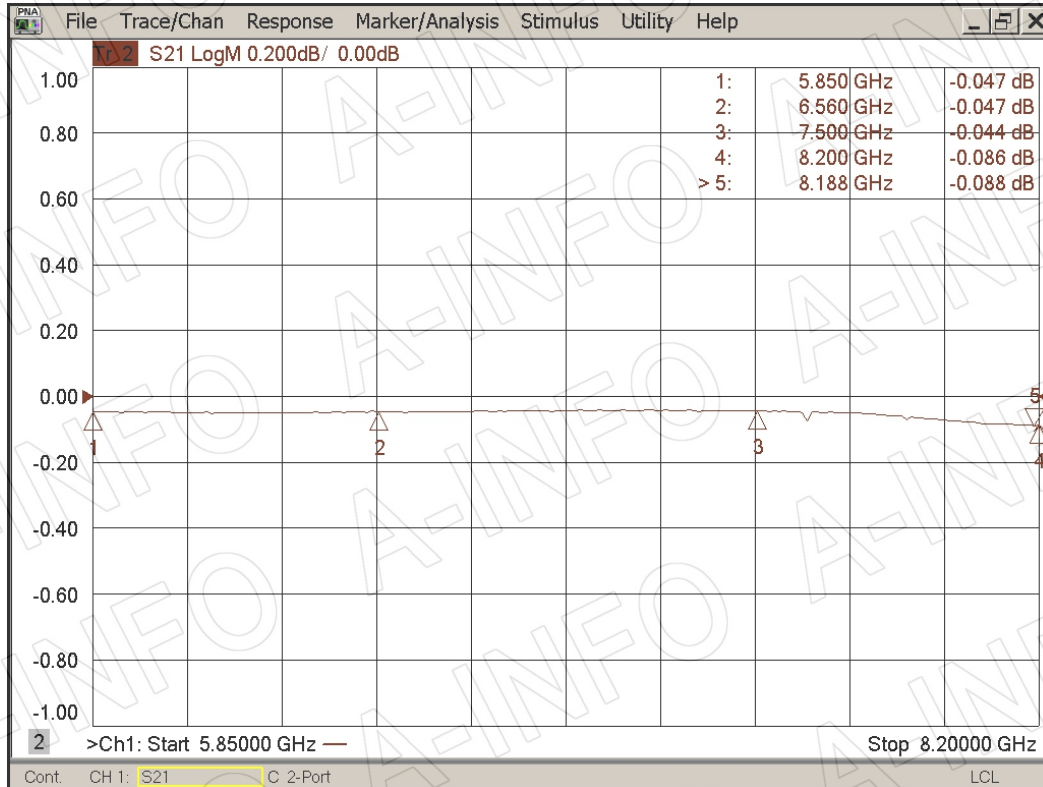
FDP58



FDP70

## Test Result

I.L. (Test with two transitions back to back)



## VSWR

